

CODE NUMBER

3070037

DESCRIPTION

1.6 gpf, Angle Stop Bumper, Polished Chrome Finish, Fixture Connection Top Spud, Single Flush, Less Vacuum Breaker, GEM-2® Exposed Manual Water Closet Flushometer.

DETAILS

Flush Volume: 1.6 gpf (6.0 Lpf)

Finish: Polished Chrome (CP)

Valve: Piston

Valve Body Material: Semi-red Brass

Fixture Type: Water Closet

Fixture Connection: Top Spud

Rough-In Dimension: 11 ½" (292mm)

Spud Coupling: 1 ½" (38mm)

Supply Pipe: 1" (25mm)

Vacuum Breaker: Less (XYV)

Bumper: Angle Stop (YO)

FEATURES

Fixed Volume Piston with Filtered O-ring Bypass

ADA Compliant Metal Oscillating Non-Hold-Open Handle

Control Stop Plug

Vacuum Breaker Flush Connection

Spud Coupling, Wall and Spud Flanges for 1½" Top Spud

Cast Set Wall Flange with Set Screw

Sweat Solder Adaptor with cover tube

- Non-Hold-Open Handle and No External Volume Adjustment to

Ensure Water Conservation

Handle Packing, Stop Seat and Vacuum Breaker Molded from

PERMEX® Rubber Compound for Chloramine Resistance

1" I.P.S. Screwdriver Bak-Chek® Angle Stop

-



Variations Not Shown: XYV, YO

COMPLIANCES & CERTIFICATIONS



Made in the USA



(ADA Compliant, BAA Compliant, cUPC Green Certified, cUPC Certified, EPD, HPD, Made in the USA, Satisfies LEED Credits)

RECOMMENDED SPECIFICATION

Valve Body, Cover, Tailpiece and Control Stop shall be in conformance with ASTM Alloy Classification for Semi- Red Brass. Valve shall be in compliance with the applicable sections of ASSE 1037 and ANSI/ASME 112.19.2.

VALVE OPERATING PRESSURE (FLOWING)

15–80 PSI (103–552 kPa). Specific fixtures may require greater minimum flowing pressure - consult manufacturer requirements.

DOWNLOADS

[GEM/GEM 2 Piston Type Exposed Installation Instructions](#)

[Control Stop Repair and Maintenance Guide](#)

- [Flush Connections Flanges Repair and Maintenance Guide](#)

[Tail Piece Repair and Maintenance Guide](#)

[Gem 2 Repair and Maintenance Guide](#)

[Additional Downloads](#)

NOTES

All information contained within this document subject to change without notice.

Looking for other variations of the GEM-2 111 product? [View the general spec sheet with all options.](#)

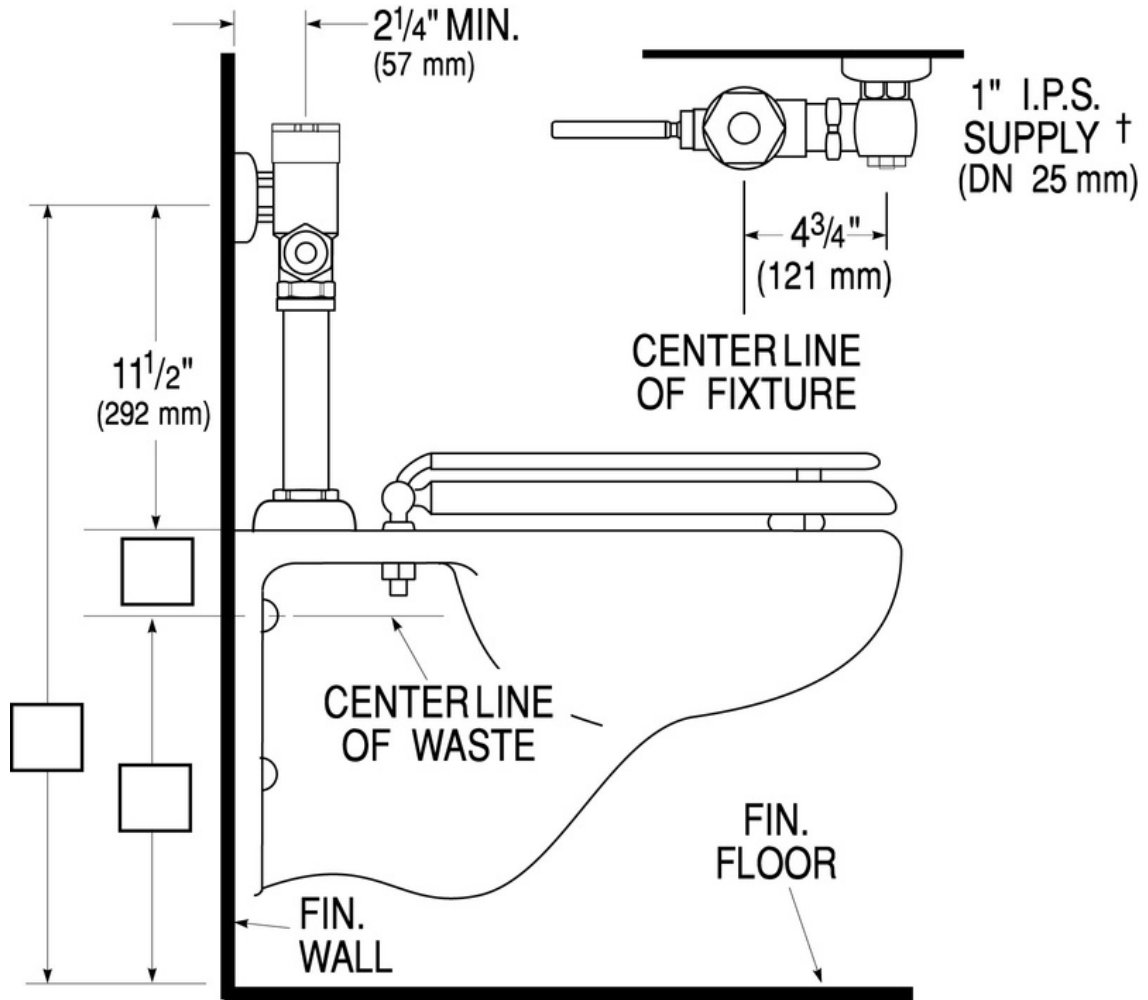
[Find a compatible urinal](#) for this flushometer.

[Find a compatible water closet](#) for this flushometer.

WARRANTY

[View Warranty Information](#)

ROUGH-IN



CODE NUMBER

3070026

DESCRIPTION

1.28 gpf, XL Sweat Solder Adapter Kit, Polished Chrome Finish, Fixture Connection Top Spud, Single Flush, GEM-2® Exposed Manual Water Closet Flushometer.

DETAILS

Flush Volume: 1.28 gpf (4.8 Lpf)

Finish: Polished Chrome (CP)

Valve: Piston

Valve Body Material: Semi-red Brass

Fixture Type: Water Closet

Fixture Connection: Top Spud

Rough-In Dimension: 11 1/2" (292mm)

Spud Coupling: 1 1/2" (38mm)

Supply Pipe: 1" (25mm)

Adapter: XL Sweat Solder Adapter Kit (XL)

FEATURES

- Fixed Volume Piston with Filtered O-ring Bypass
- ADA Compliant Metal Oscillating Non-Hold-Open Handle
- Control Stop Plug
- Vacuum Breaker Flush Connection
- Spud Coupling, Wall and Spud Flanges for 1 1/2" Top Spud
- Cast Set Wall Flange with Set Screw
- Sweat Solder Adaptor with cover tube
- Non-Hold-Open Handle and No External Volume Adjustment to Ensure Water Conservation
- Handle Packing, Stop Seat and Vacuum Breaker Molded from PERMEX® Rubber Compound for Chloramine Resistance
- 1" I.P.S. Screwdriver Bak-Chek® Angle Stop



COMPLIANCES & CERTIFICATIONS



(ADA Compliant, BAA Compliant, BREEAM Materials Credit, BREEAM Water Credit, cUPC Green Certified, cUPC Certified, EPD, Green Globes Materials & Resources Credit, Green Globes Water Credit, HPD, LEED Materials & Resources EPD Credit, LEED Materials & Resources HPD Credit, LEED V4 Water Efficiency Credit, WaterSense Listed, Made in the USA, Satisfies LEED Credits)

RECOMMENDED SPECIFICATION

Valve Body, Cover, Tailpiece and Control Stop shall be in conformance with ASTM Alloy Classification for Semi- Red Brass. Valve shall be in compliance with the applicable sections of ASSE 1037 and ANSI/ASME 112.19.2.

VALVE OPERATING PRESSURE (FLOWING)

15–80 PSI (103–552 kPa). Specific fixtures may require greater minimum flowing pressure - consult manufacturer requirements.

DOWNLOADS

- [GEM/GEM 2 Piston Type Exposed Installation Instructions](#)
- [Control Stop Repair and Maintenance Guide](#)
- [Flush Connections Flanges Repair and Maintenance Guide](#)
- [Tail Piece Repair and Maintenance Guide](#)
- [Gem 2 Repair and Maintenance Guide](#)
- [Additional Downloads](#)

NOTES

All information contained within this document subject to change without notice.

Looking for other variations of the GEM-2 111 product? [View the general spec sheet with all options.](#)

[Find a compatible urinal](#) for this flushometer.
[Find a compatible water closet](#) for this flushometer.

WaterSense compliant when used with a WaterSense compliant fixture

WARRANTY

[View Warranty Information](#)

ROUGH-IN

